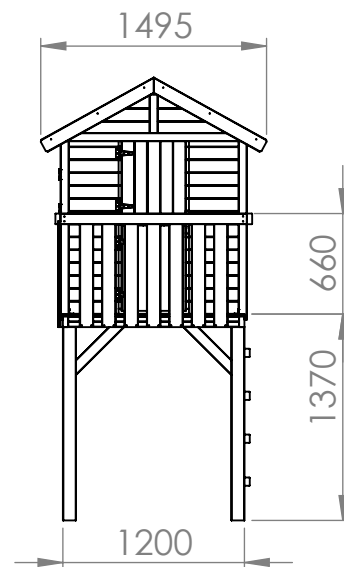
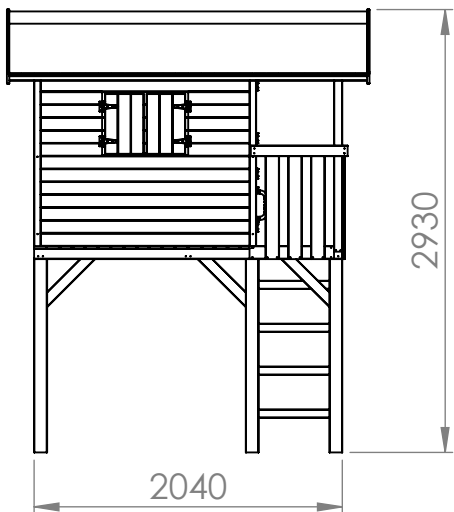
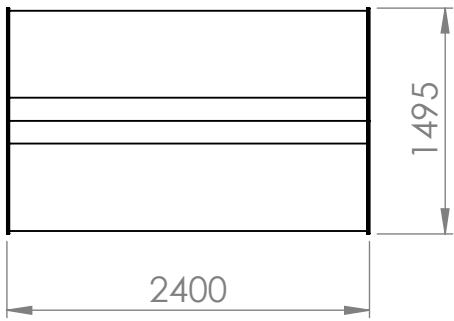
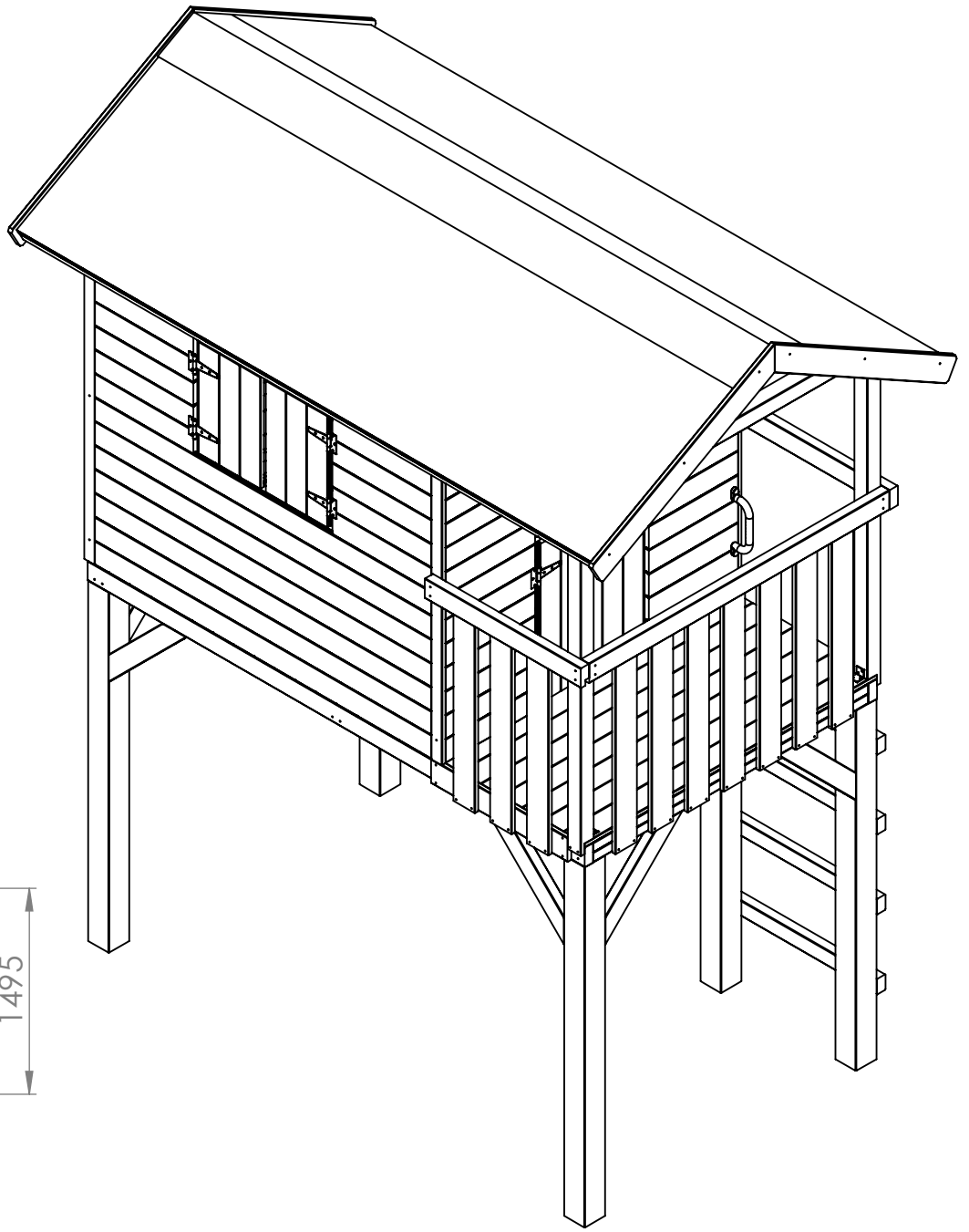
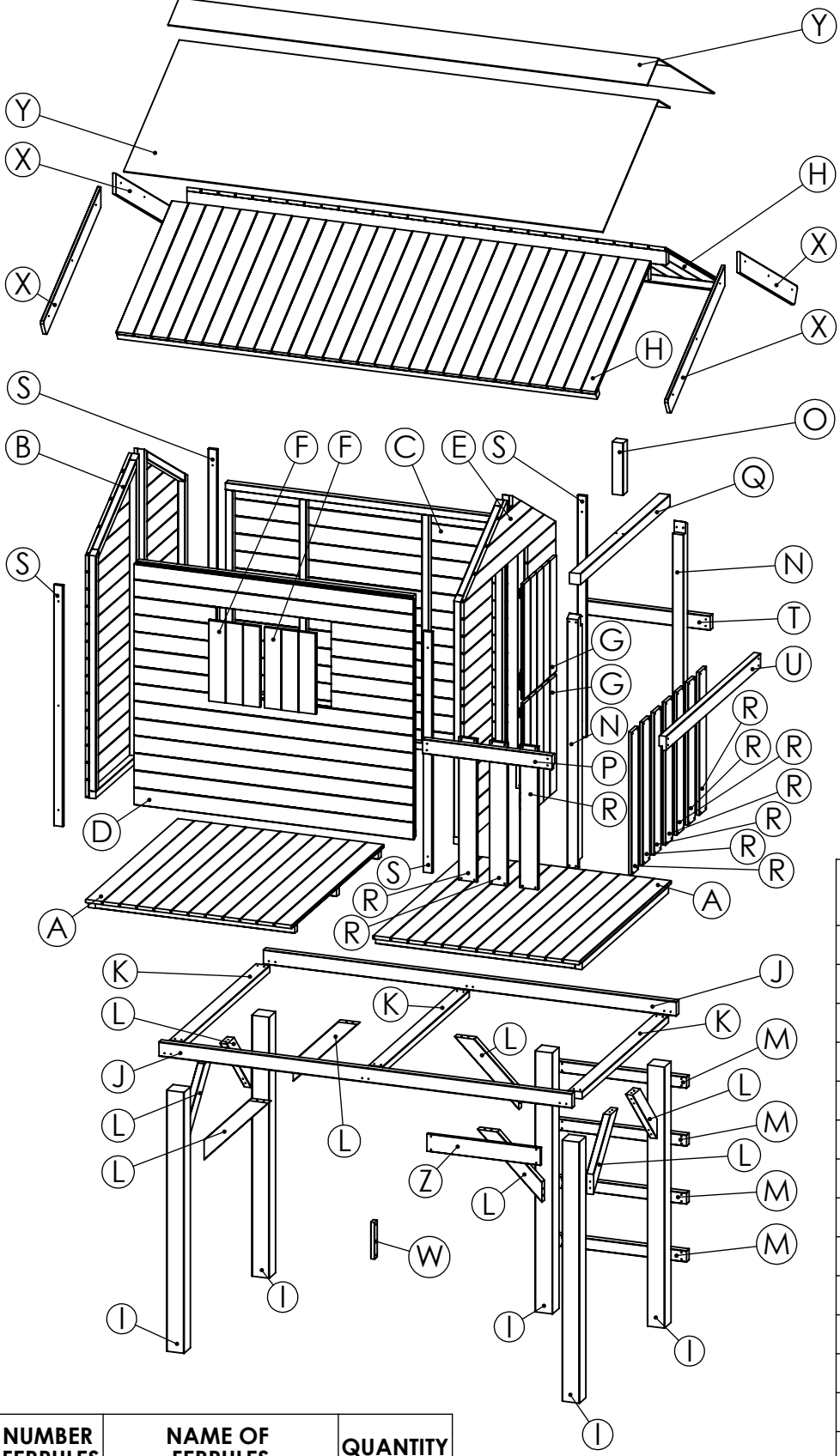


**VOLDEMORT**

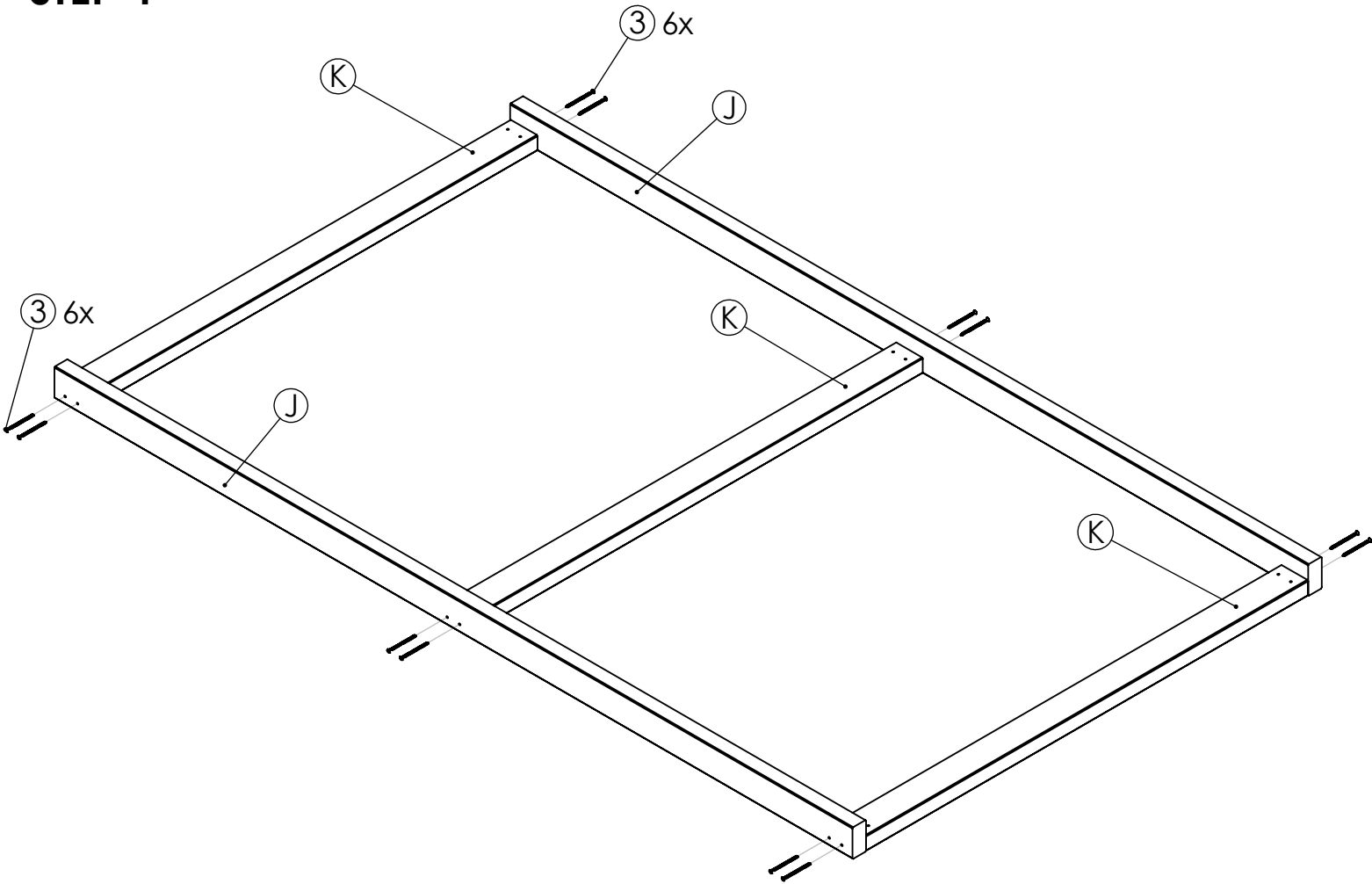




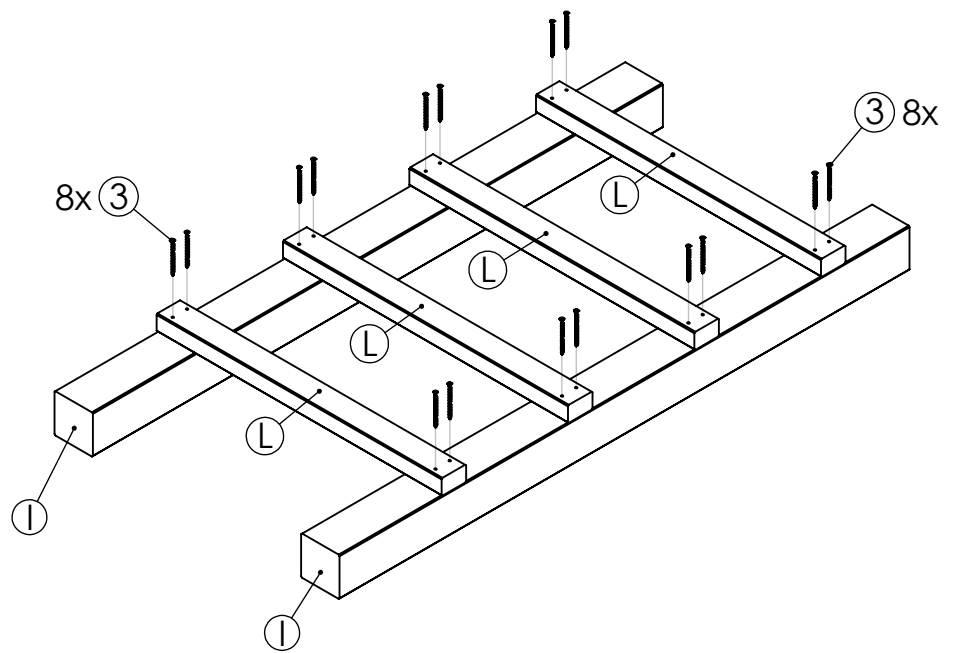
PART NUMBER	PART NAME	QUANTITY
A	FLOOR	2
B	BACK WALL	1
C	WALL RIGHT	1
D	LEFT WALL	1
E	FRONT WALL	1
F	SHUTTER	2
G	DOOR	2
H	ROOF	2
I	JOIST 86x86x1280	5
J	RAIL 35x70x2040	2
K	RAIL 35x70x1130	3
L	SUPPORT 35x70x450	8
M	RAIL 35x55x640	4
N	RAIL 55x55x1235	2
O	RAIL 55x55x255,5	1
Q	RAIL 55x55x1172	1
P	HANDRAIL-2 35x70x640	1
R	BOARD 16x90x700	10
S	LATH 16x45x1181	4
T	HANDRAIL-1 35x70x640	1
U	HANDRAIL 35x70x1232	1
W	LATH 20x35x180	2
X	BOARD 16x90x860	4
Y	COVERING 1000x2368	2
Z	BOARD 16x86x560	1

NUMBER FERRULES	NAME OF FERRULES	QUANTITY
1	SCREW 3x16	72
2	SCREW 3,5x30	66
3	SCREW 4x70	130
4	SCREW 5x100	20
5	SCREW M6x40	2
6	GASKET M6	2
7	HANDLE	1
8	ANGLE CONNECTOR	4
9	MAGNET	4
10	SPANGLE	4
11	HINGE	8
12	PLUG	2
13	NAIL	24

# STEP-1

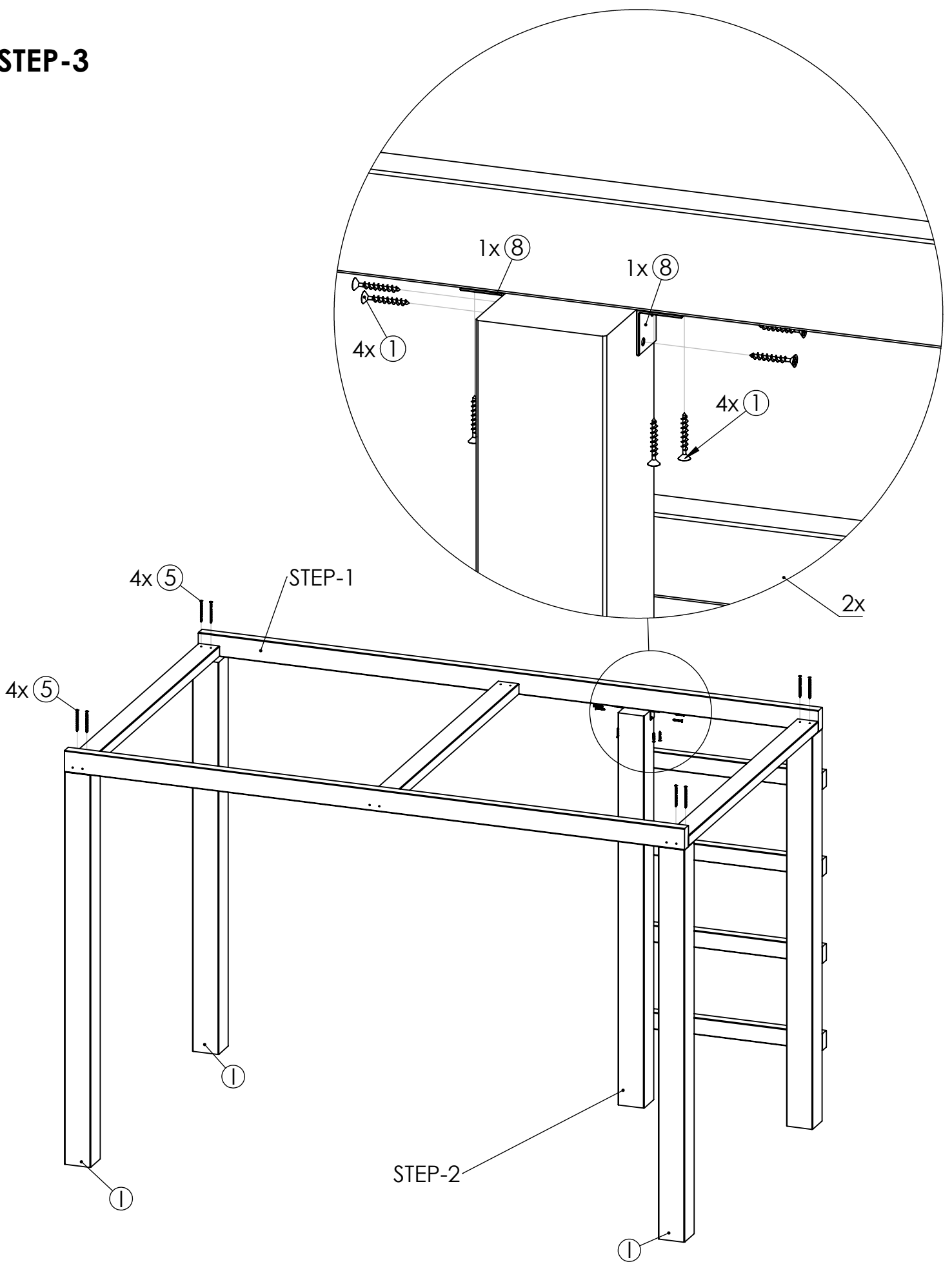


# STEP-2



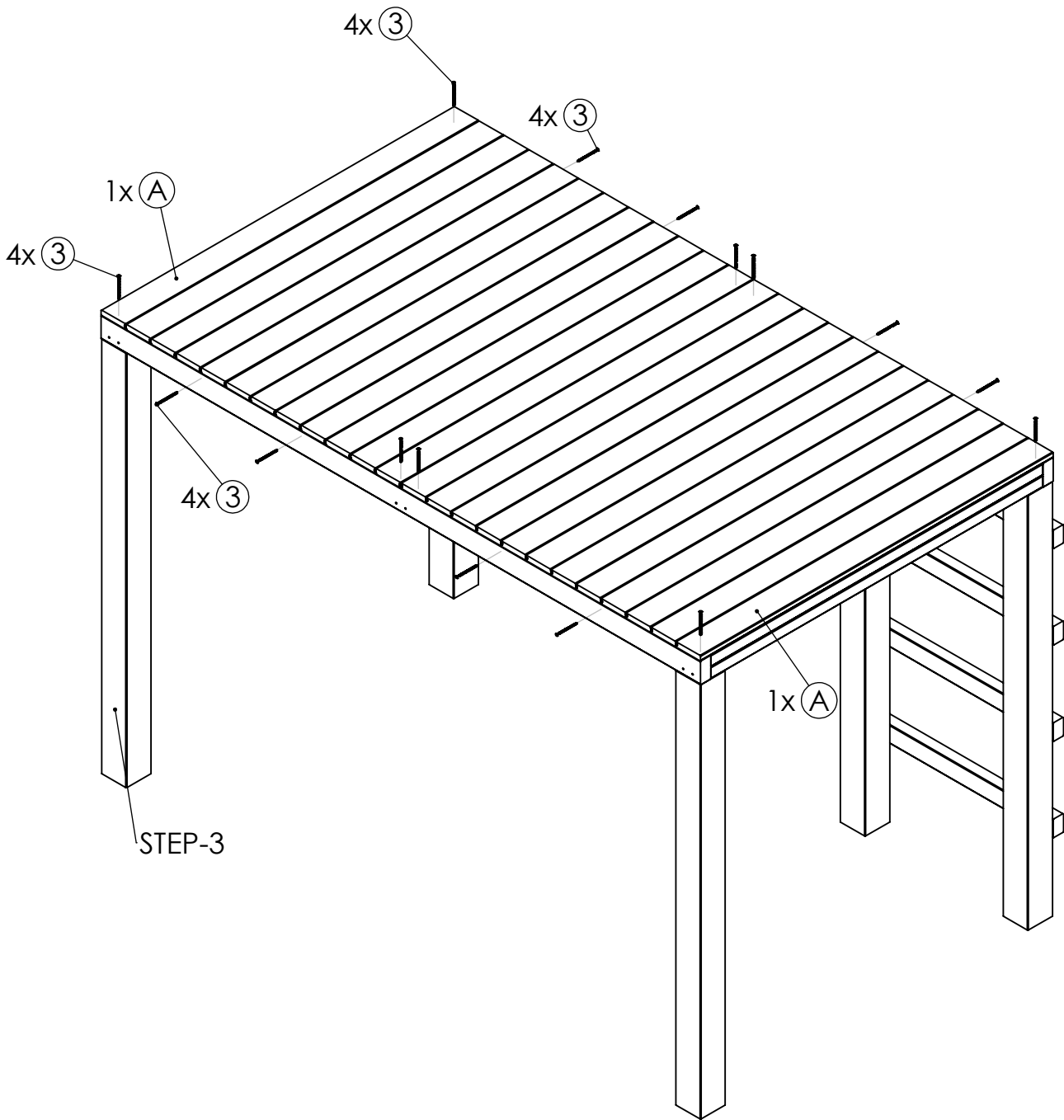
NAME OF FERRULES	QUANTITY
SCREW 4x70	28

# STEP-3



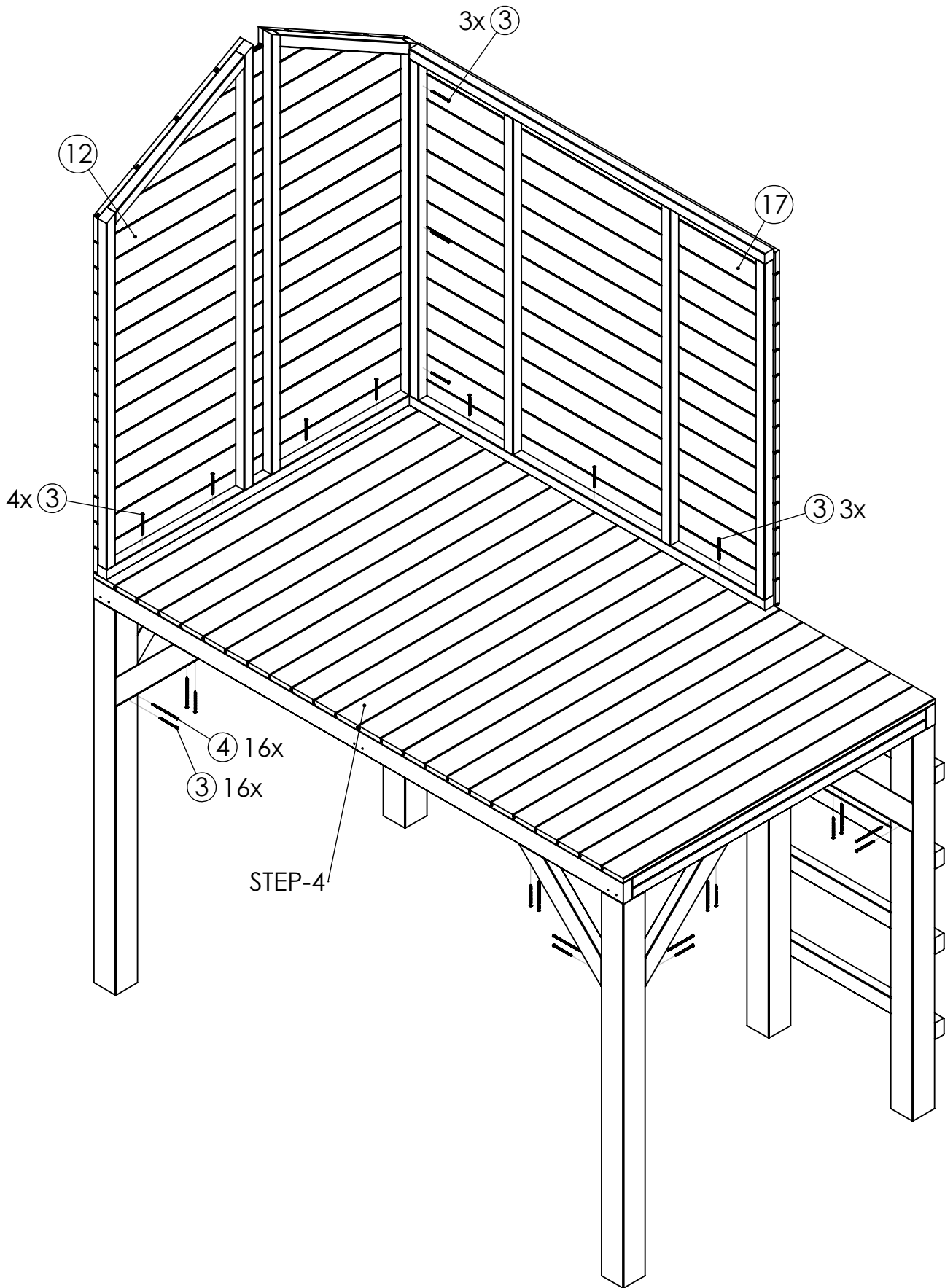
NAME OF FERRULES	QUANTITY
ANGLE CONNECTOR	2
SCREW 3,5x30	8
SCREW 4x70	8

# STEP-4



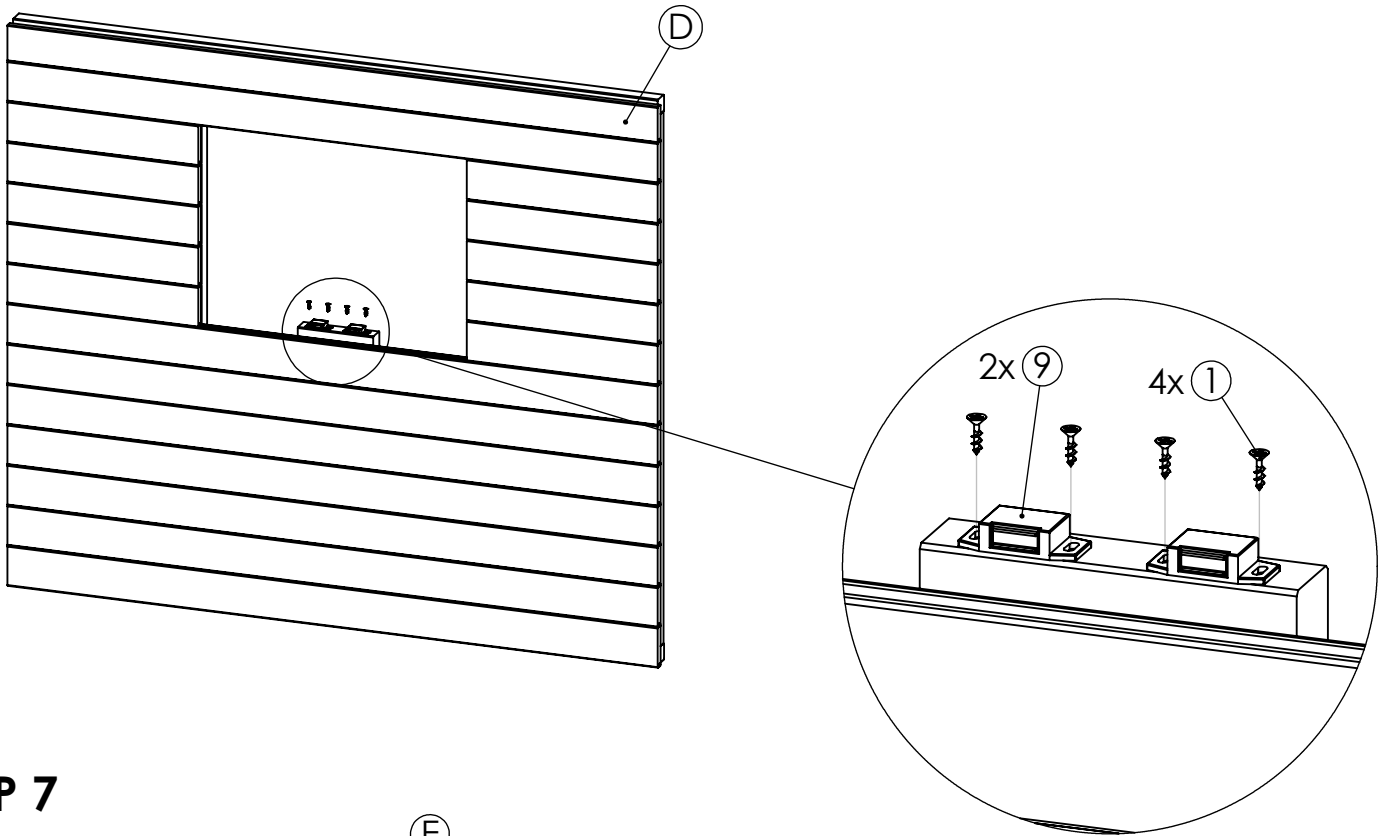
NAME OF FERRULES	QUANTITY
SCREW 4x70	16

# STEP-5

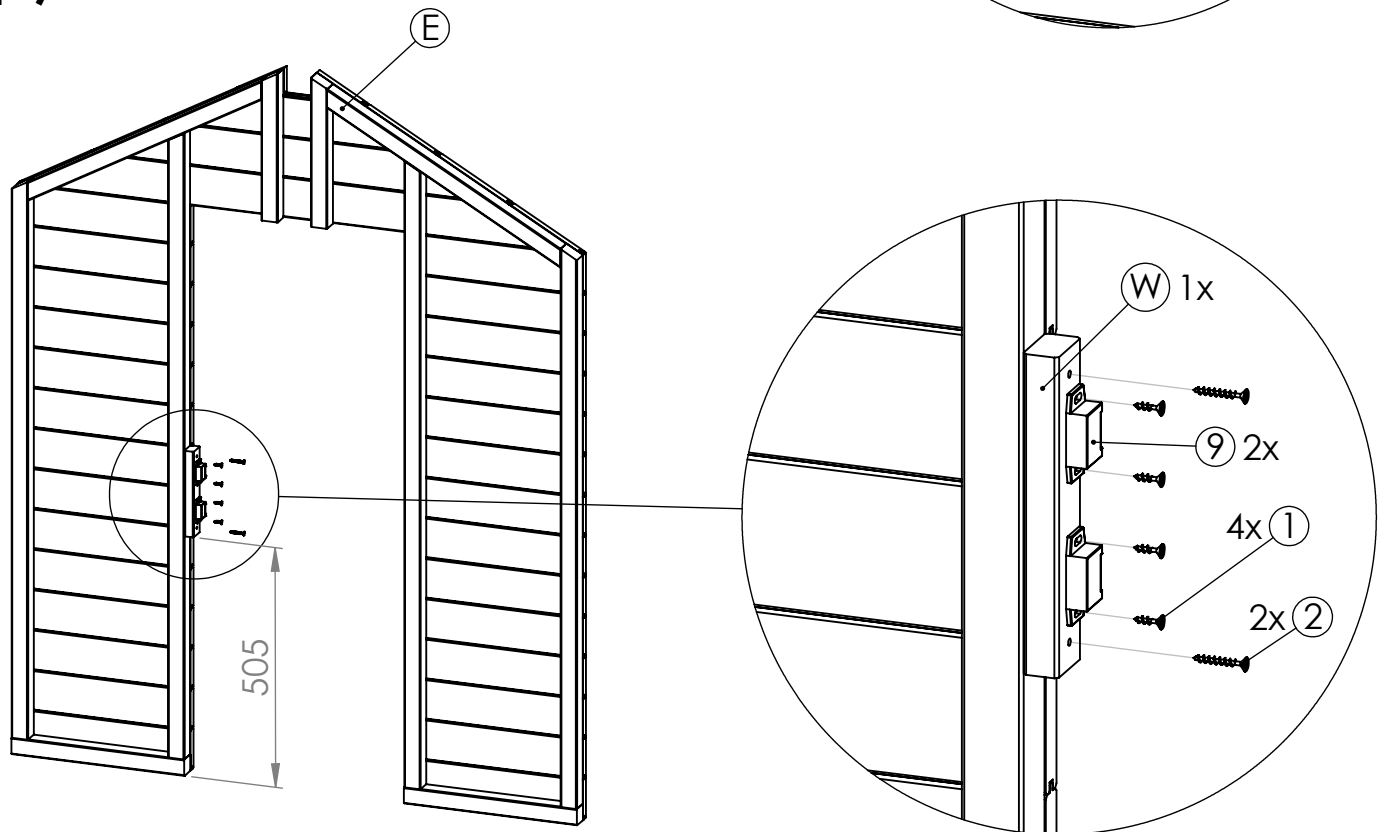


NAME OF FERRULES	QUANTITY
SCREW 4x70	26
SCREW 5x100	16

## STEP 6



## STEP 7



**NAME OF  
FERRULES**

**QUANTITY**

**SCREW 3x16**

**8**

**SCREW 3,5x30**

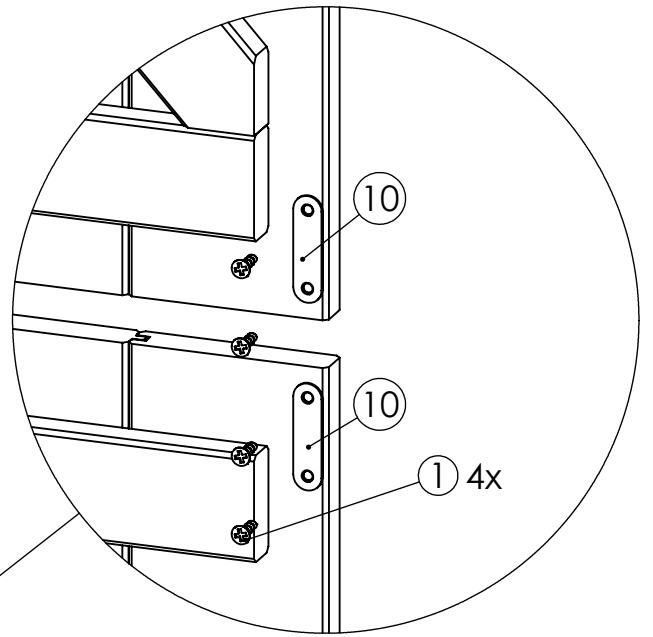
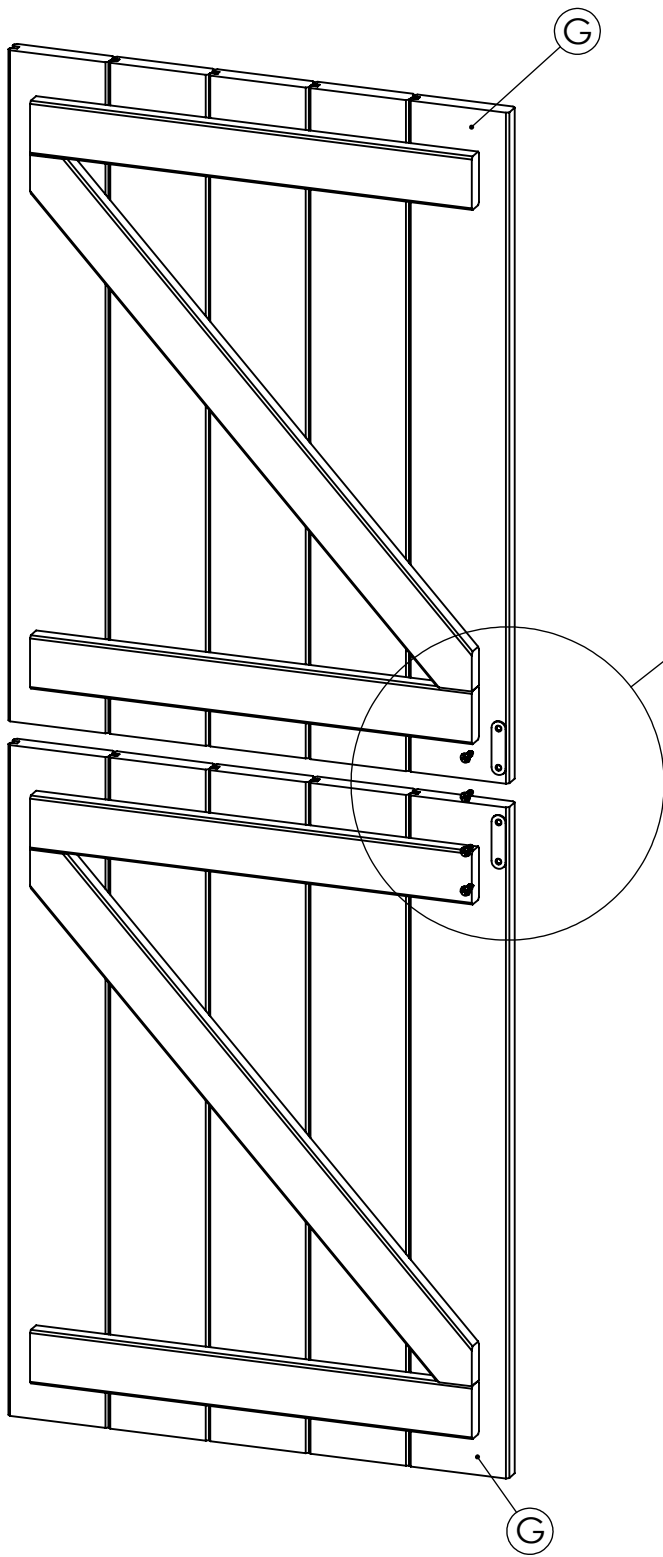
**2**

**MAGNET**

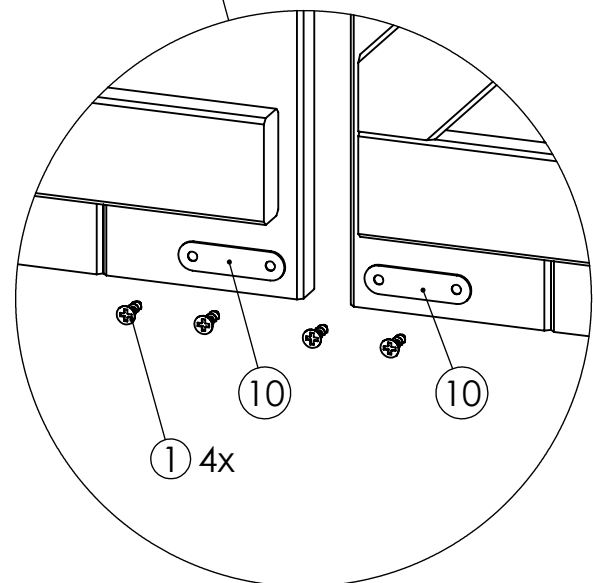
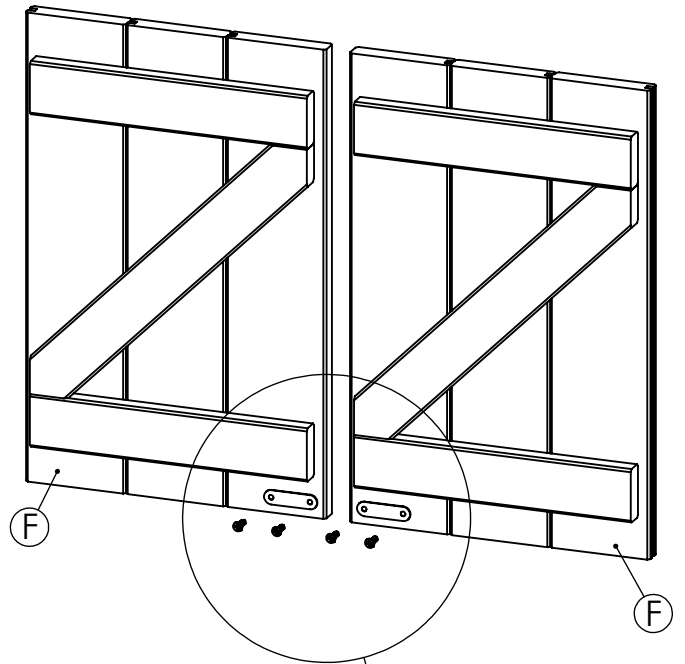
**4**



# STEP-8

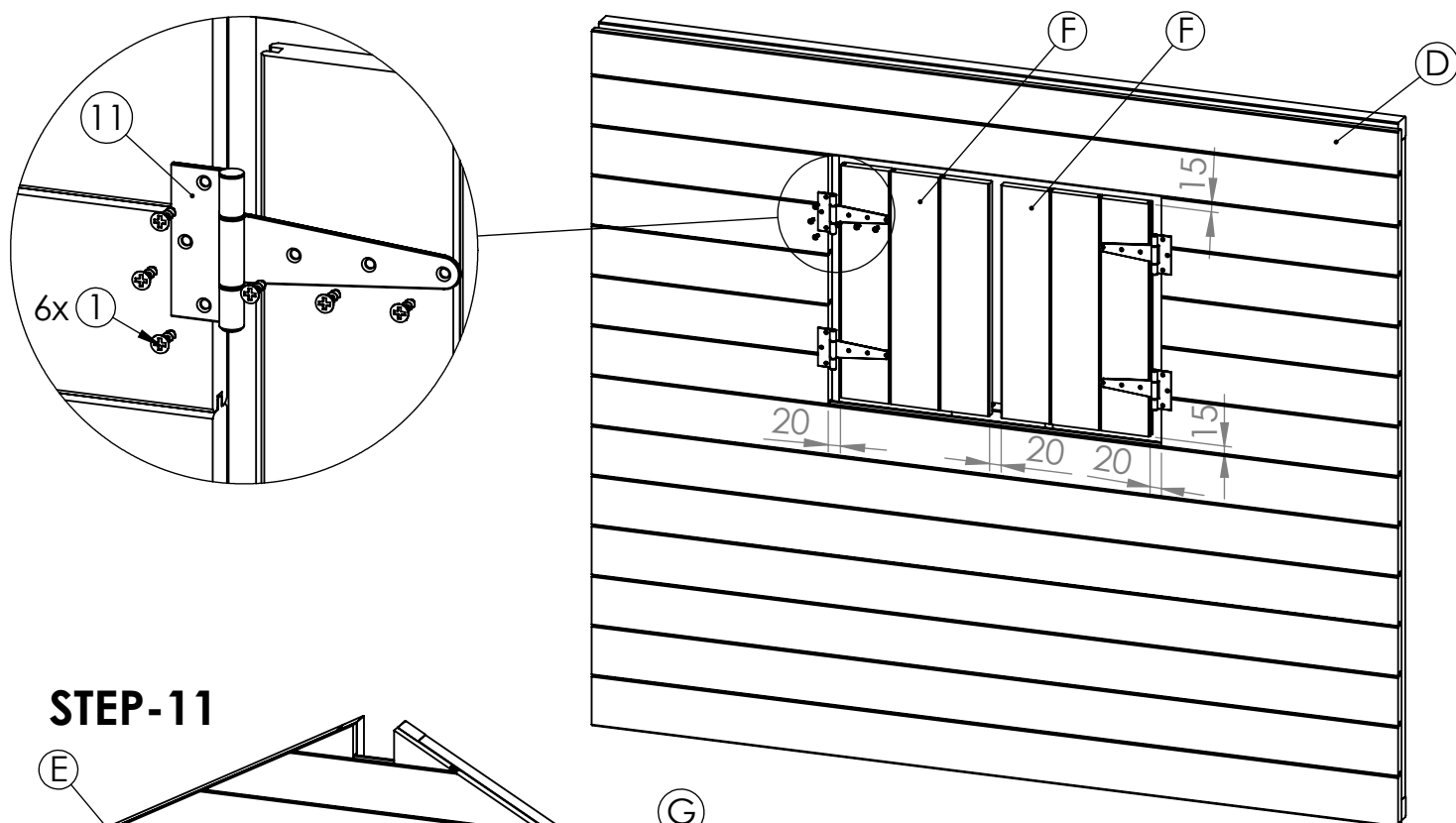


# STEP-9

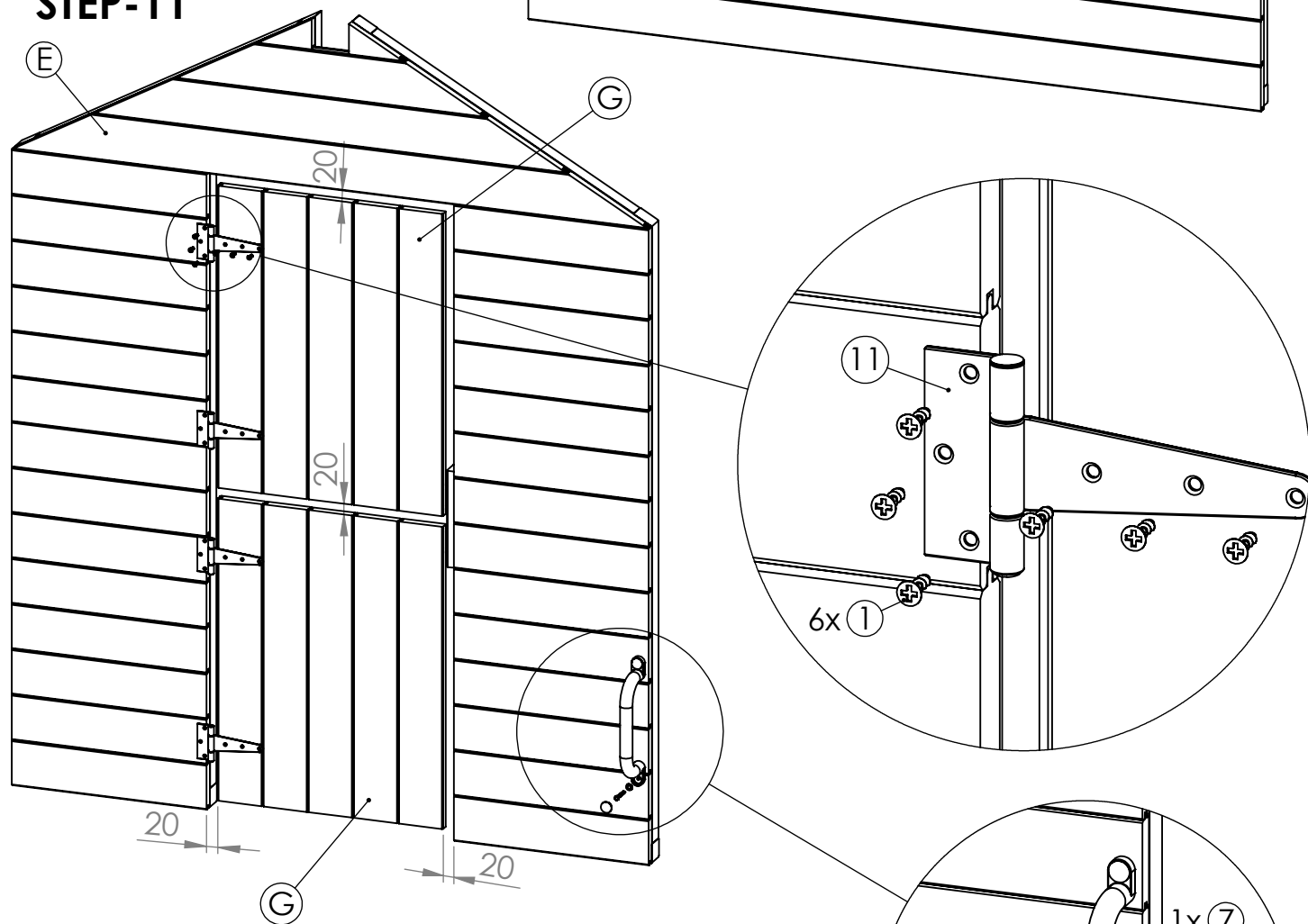


NAME OF FERRULES	NAME OF FERRULES
SCREW 3x16	8
SPANGLE	4

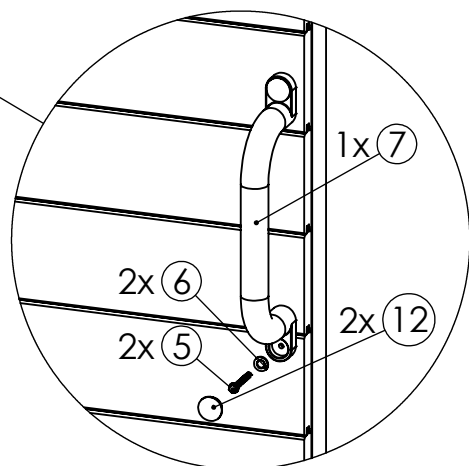
# STEP-10



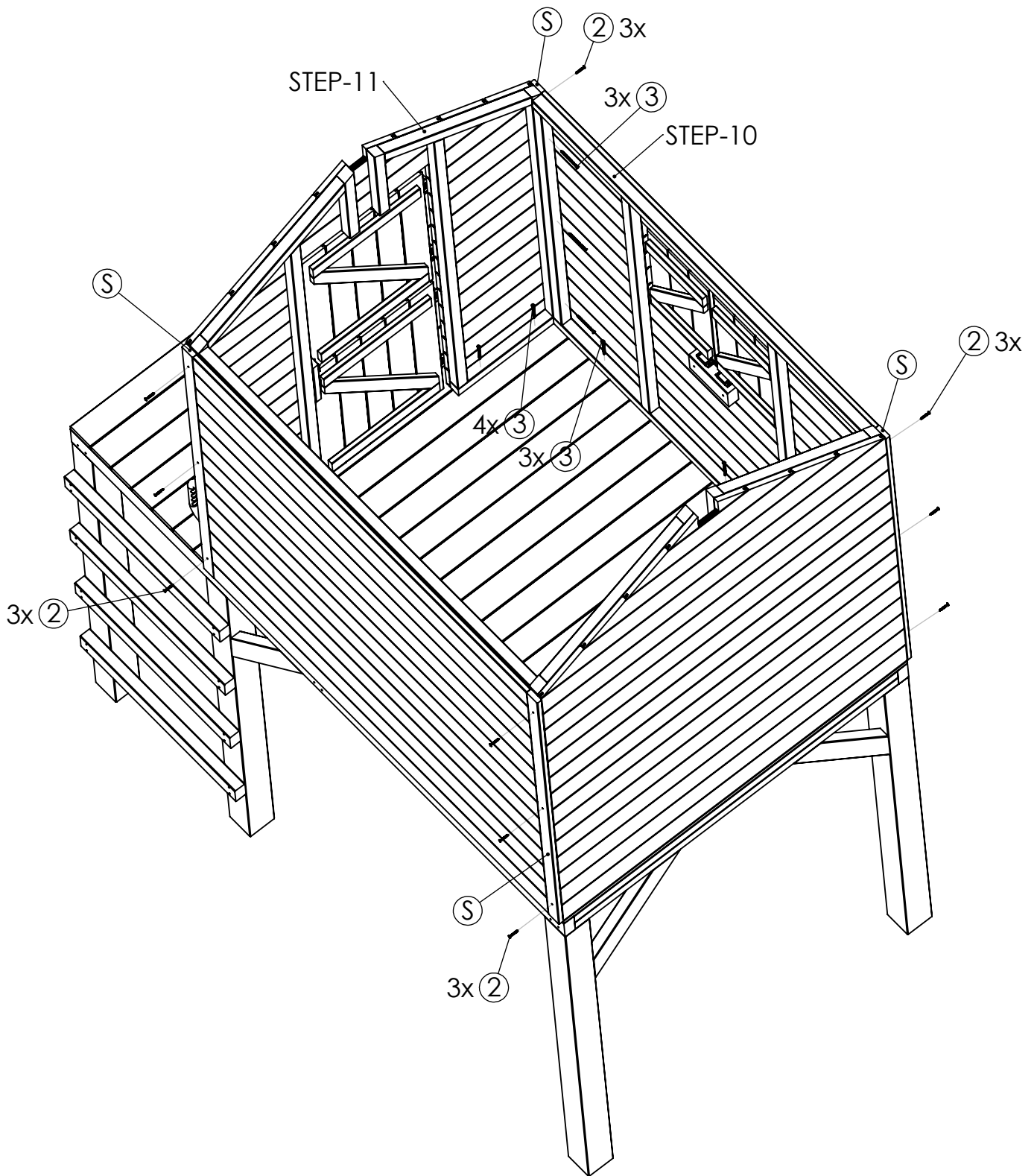
# STEP-11



NAME OF FERRULES	QUANTITY
SCREW 3x16	48
SCREW M6x40	2
GASKET M6	2
PLUG	2
HANDLE	1
HINGE	8

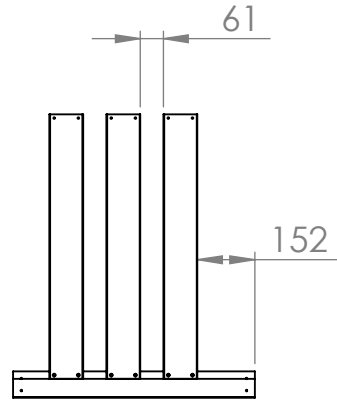
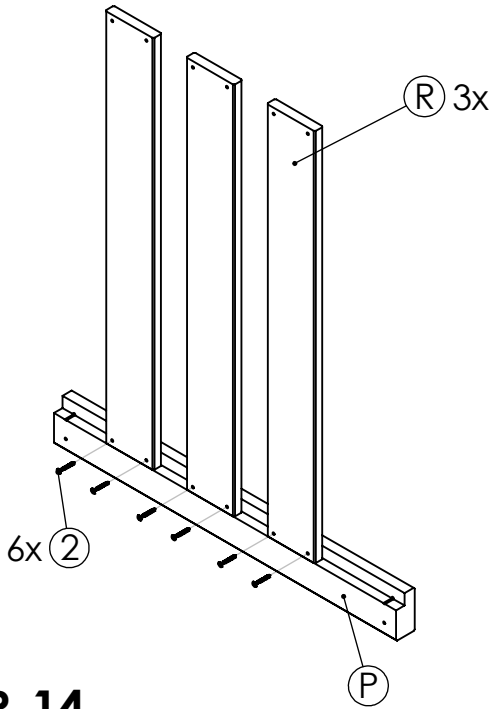


# STEP-12

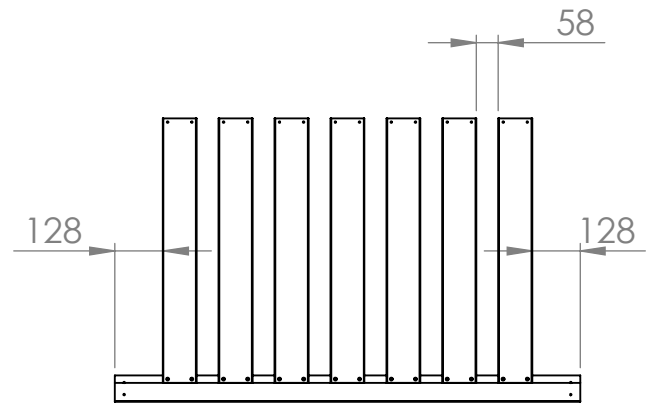
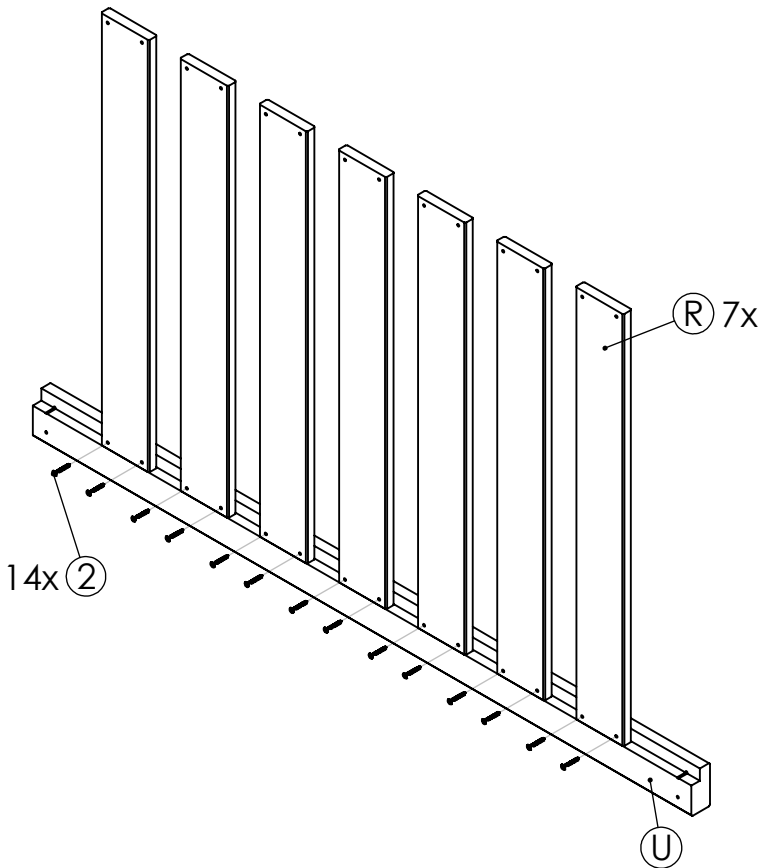


NAME OF FERRULES	QUANTITY
SCREW 3,5x30	12
SCREW 4x70	10

# STEP-13

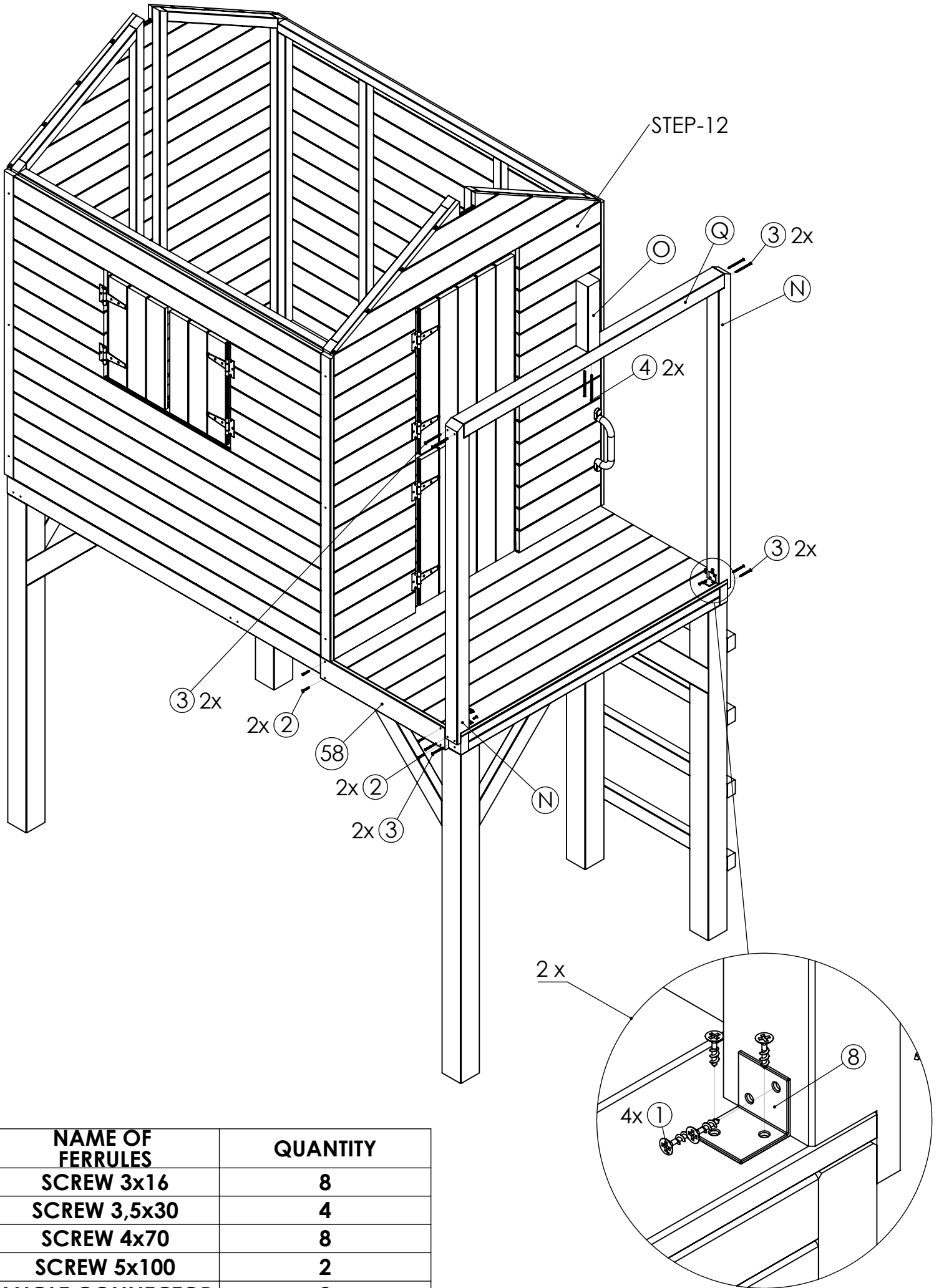


# STEP-14



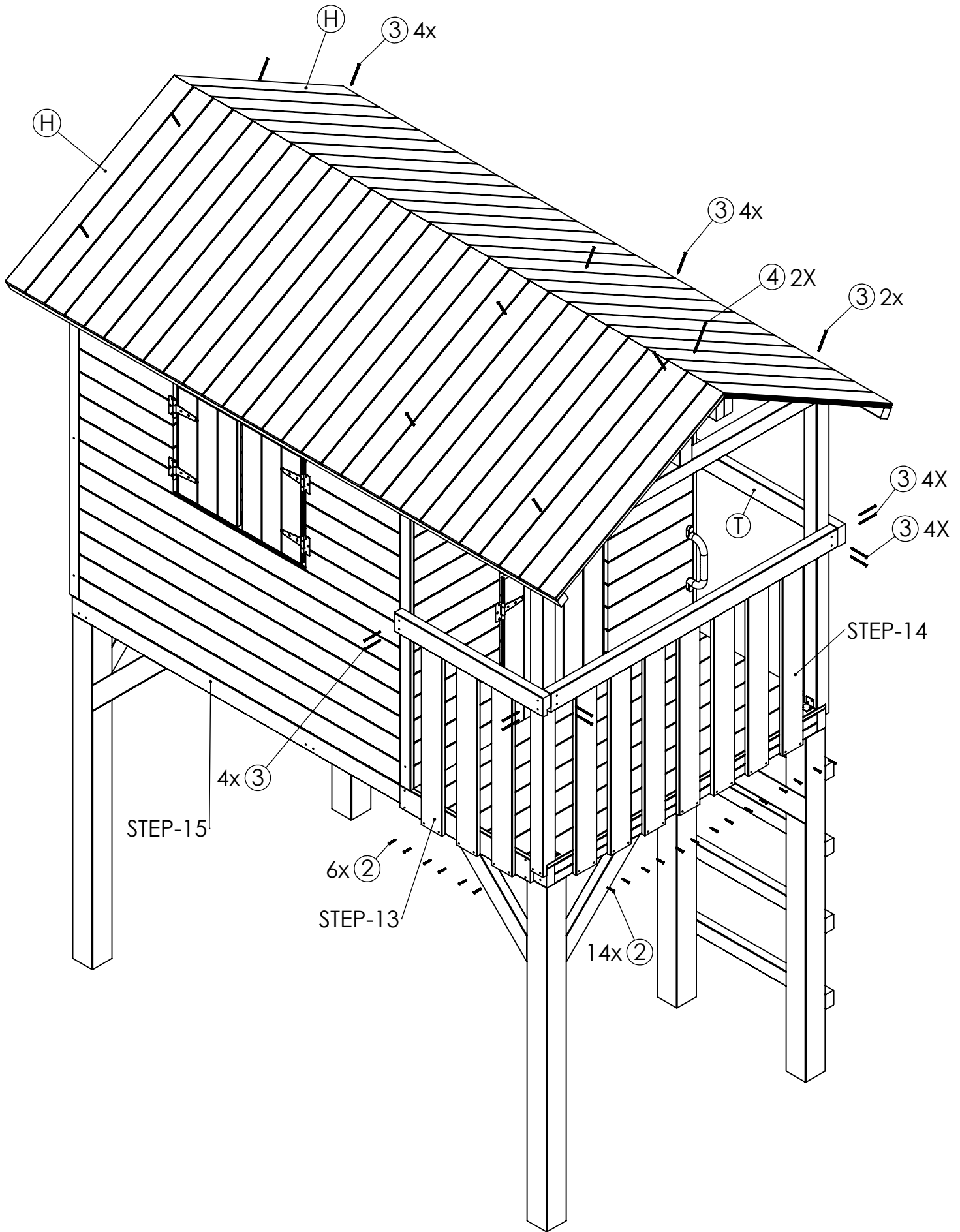
NAME OF FERRULES	QUANTITY
SCREW 3,5x30	20

# STEP-15



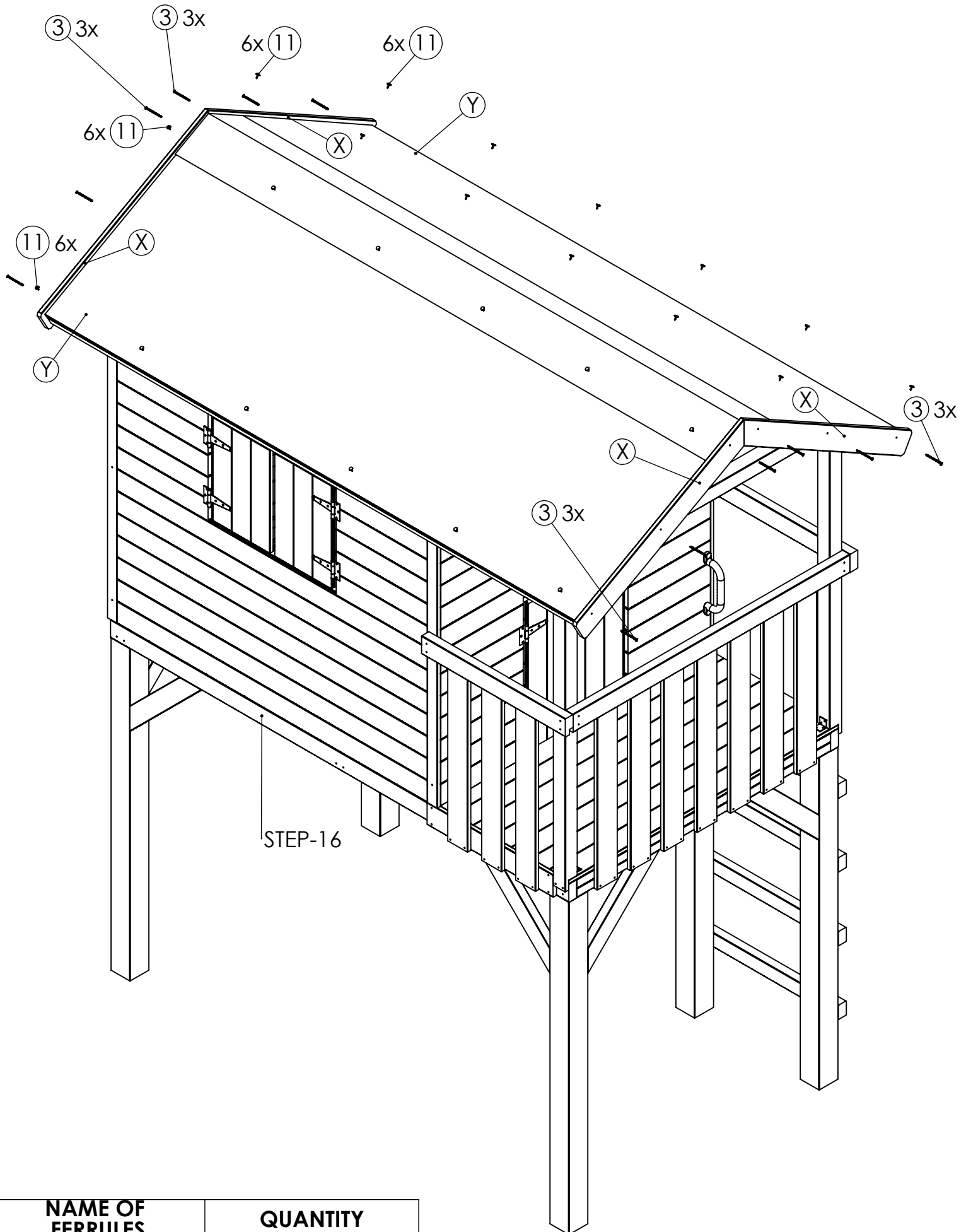
NAME OF FERRULES	QUANTITY
SCREW 3x16	8
SCREW 3,5x30	4
SCREW 4x70	8
SCREW 5x100	2
ANGLE CONNECTOR	2

# STEP-16



NAME OF FERRULES	QUANTITY
SCREW 3,5x30	20
SCREW 4x70	22
SCREW 5x100	2

# STEP-17



STEP-16

NAME OF FERRULES	QUANTITY
SCREW 4x70	12
NAILC3	24