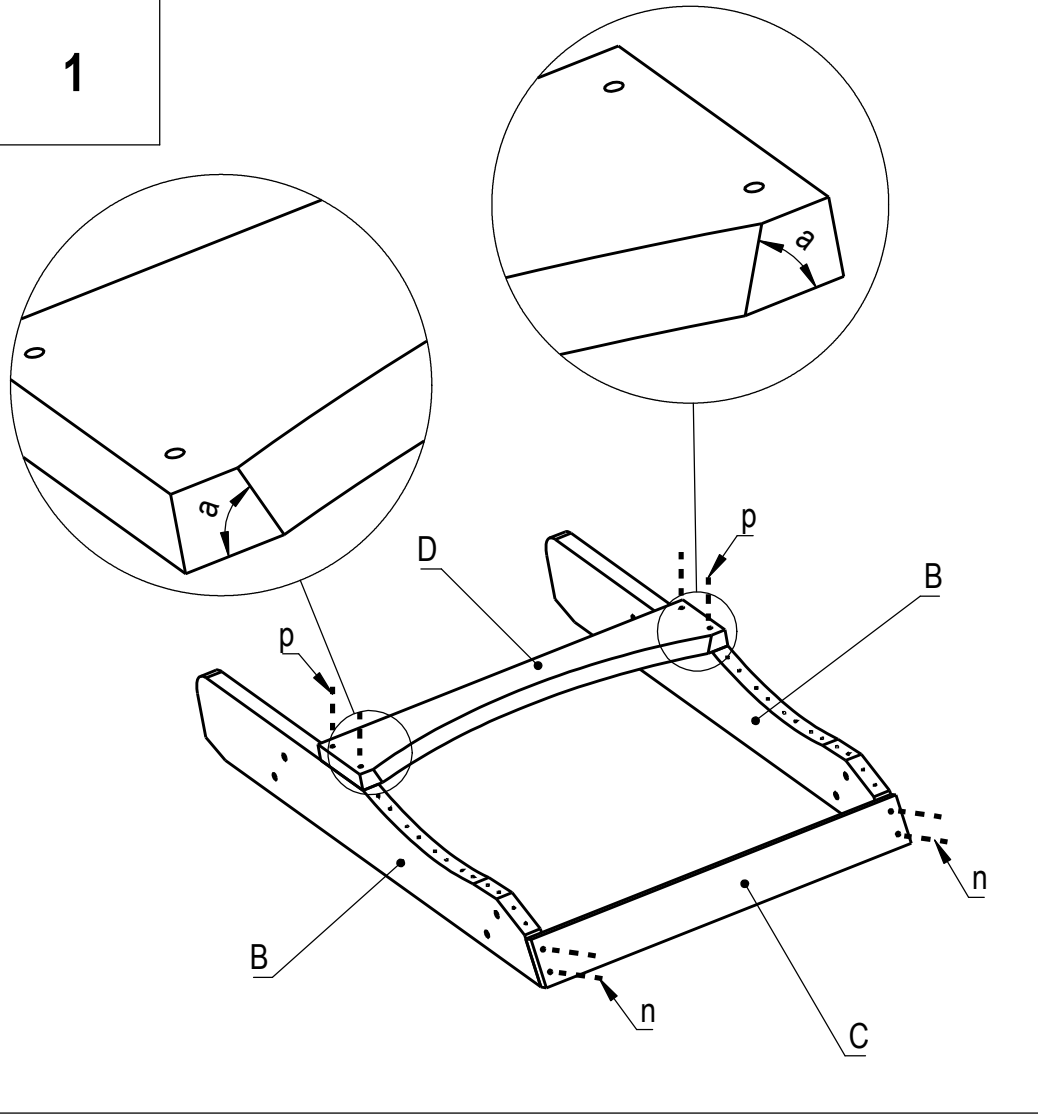
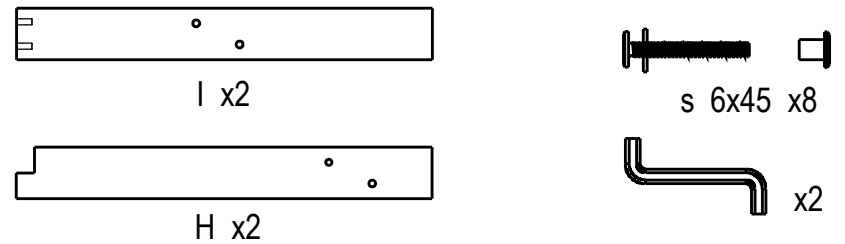
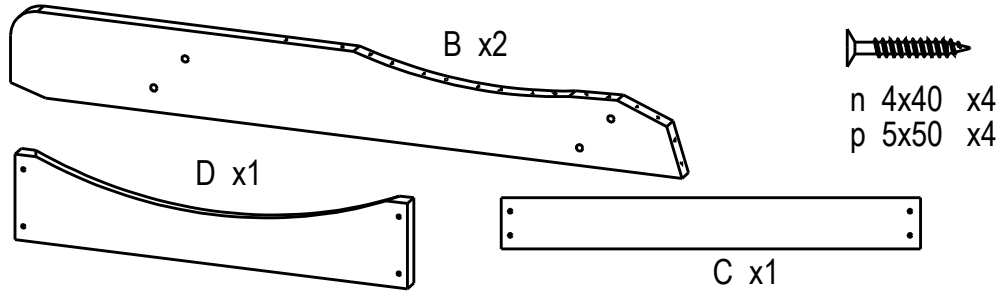
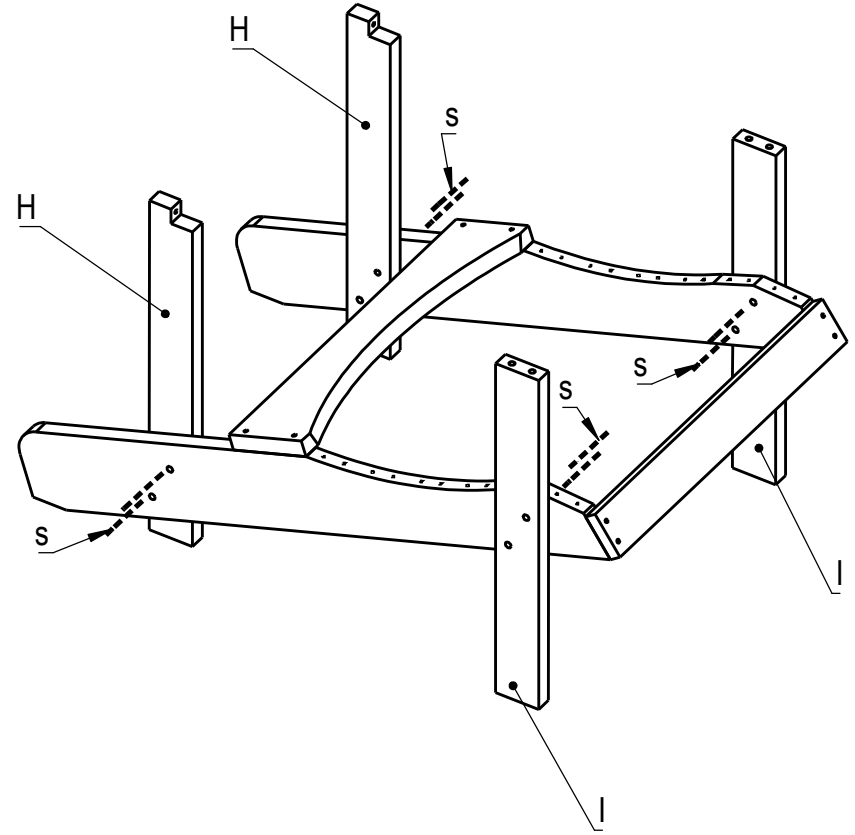


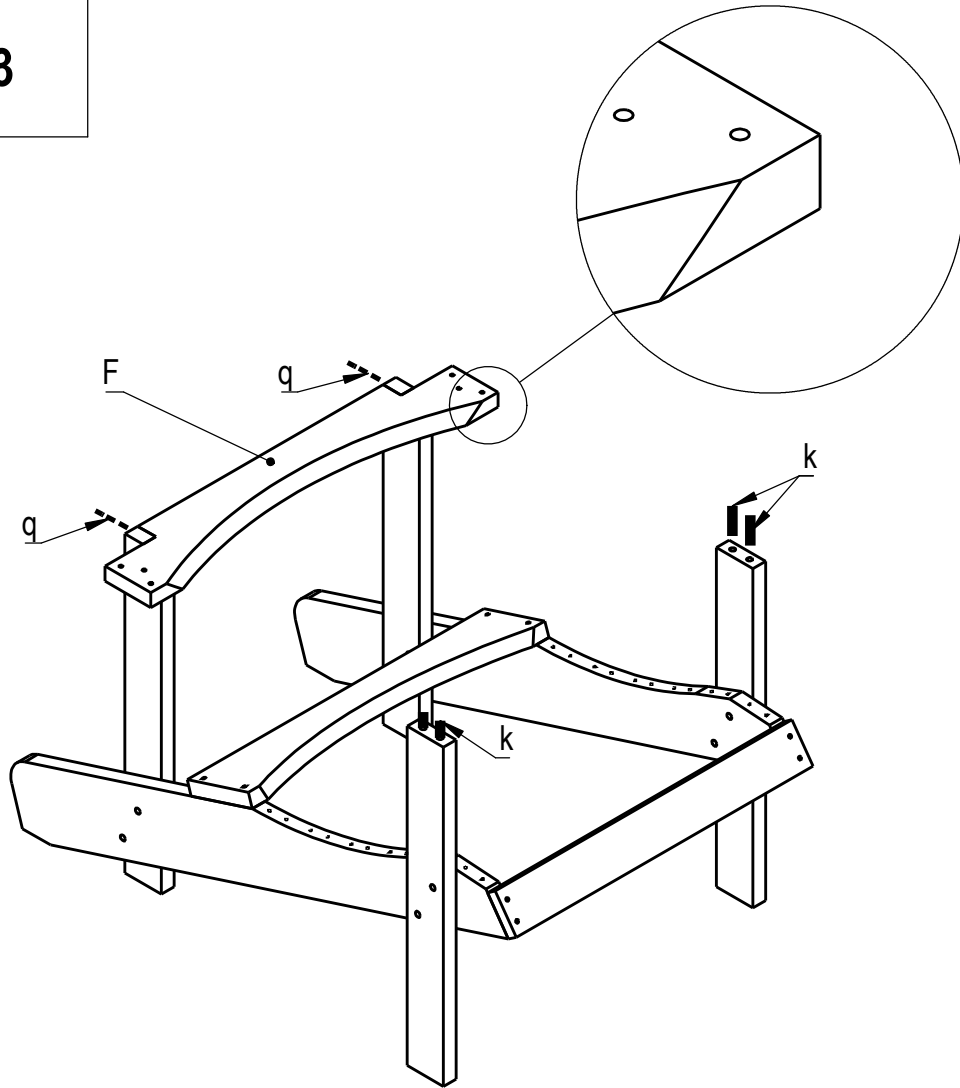
1



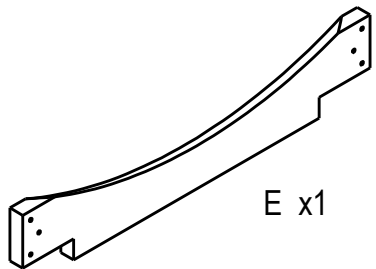
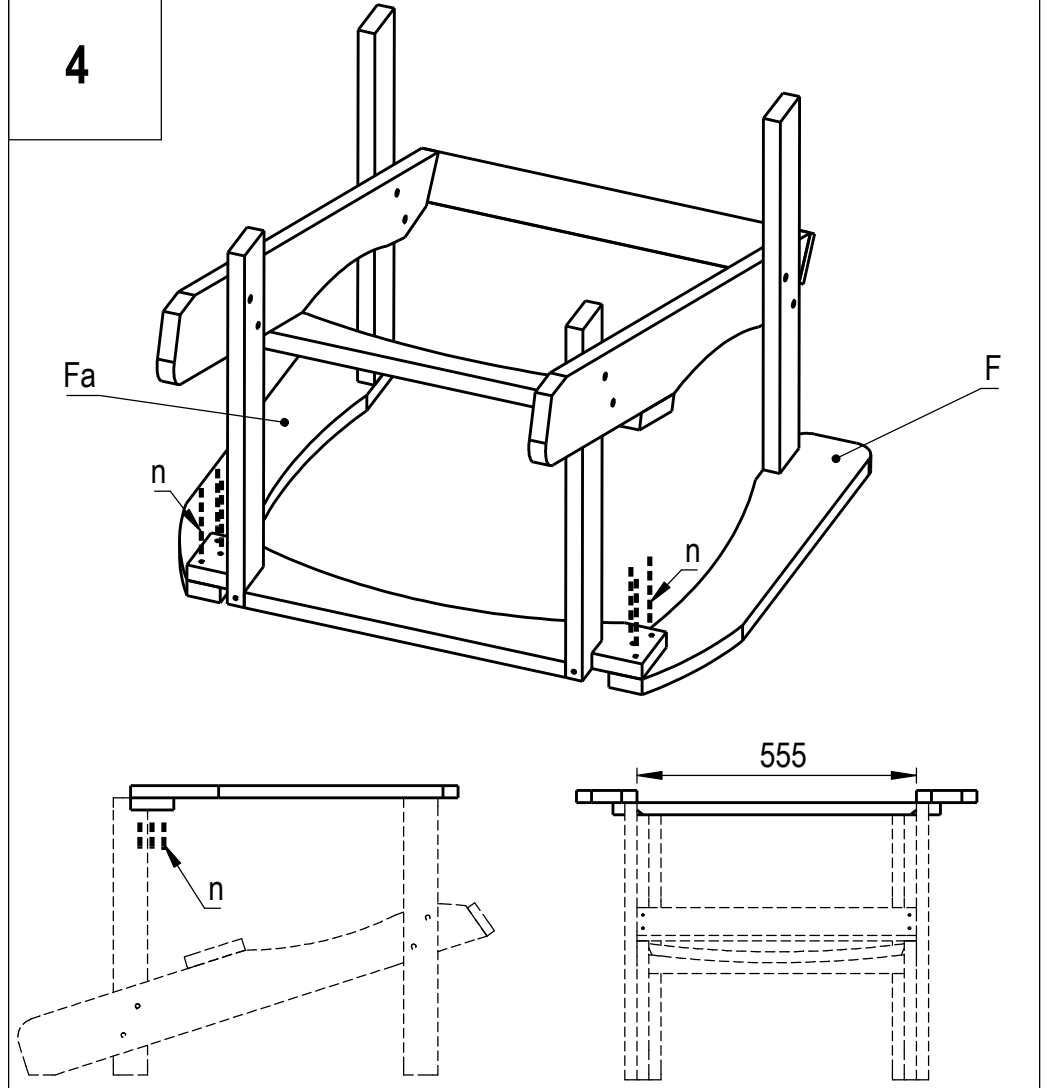
2



3



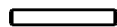
4



E x1



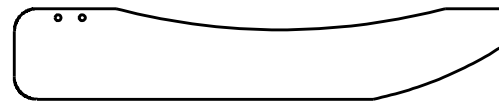
q 5x60 x2



k 8x35 x4



F x1

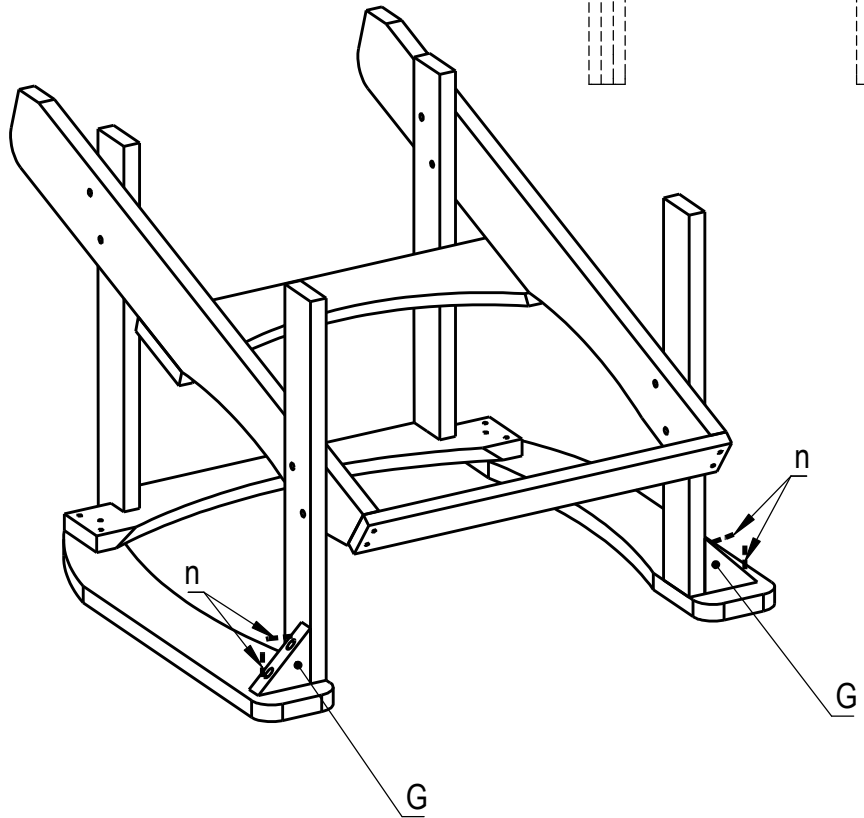
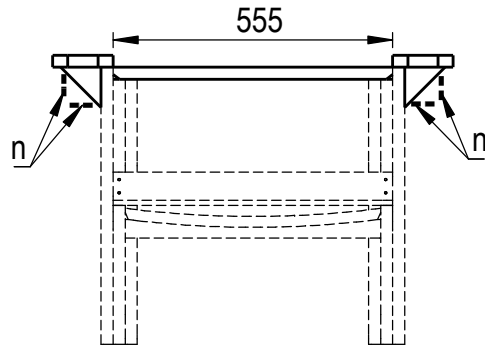


Fa x1

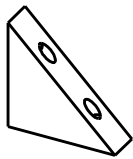
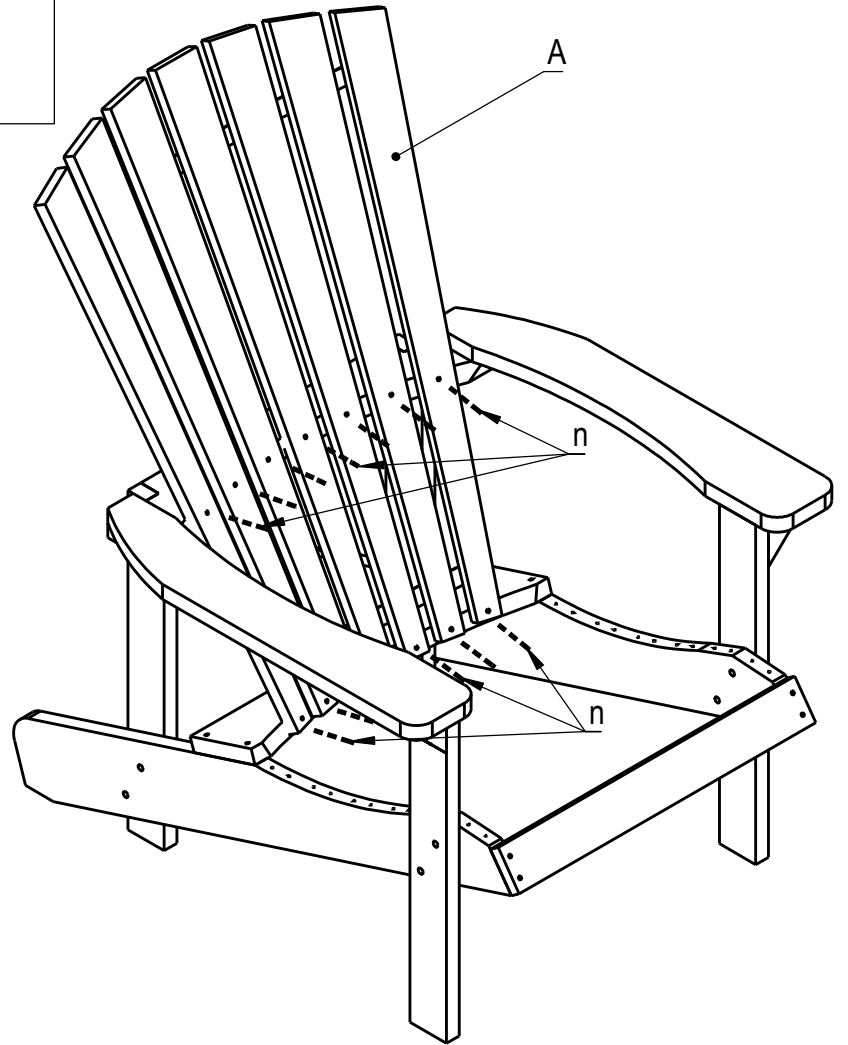


n 4x40 x6

5



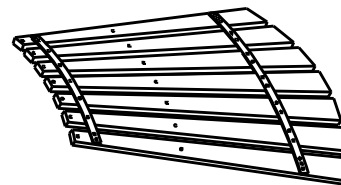
6



G x2



n 4x40 x4

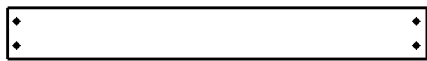
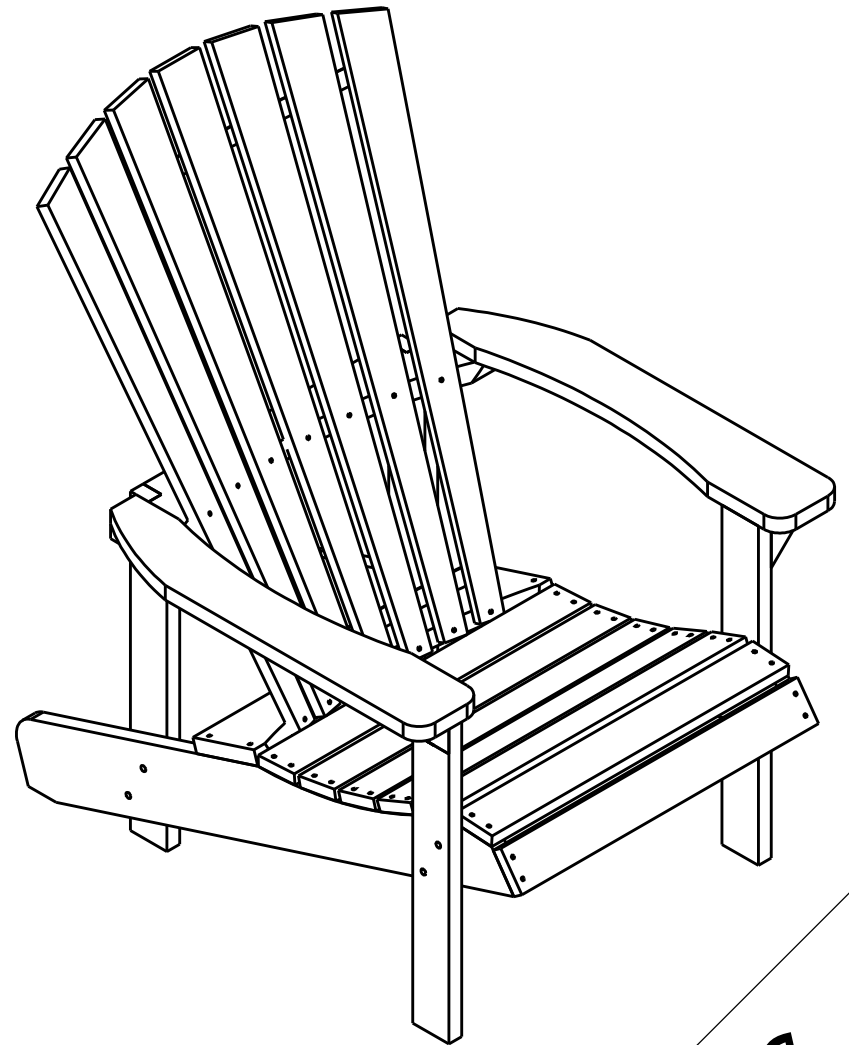
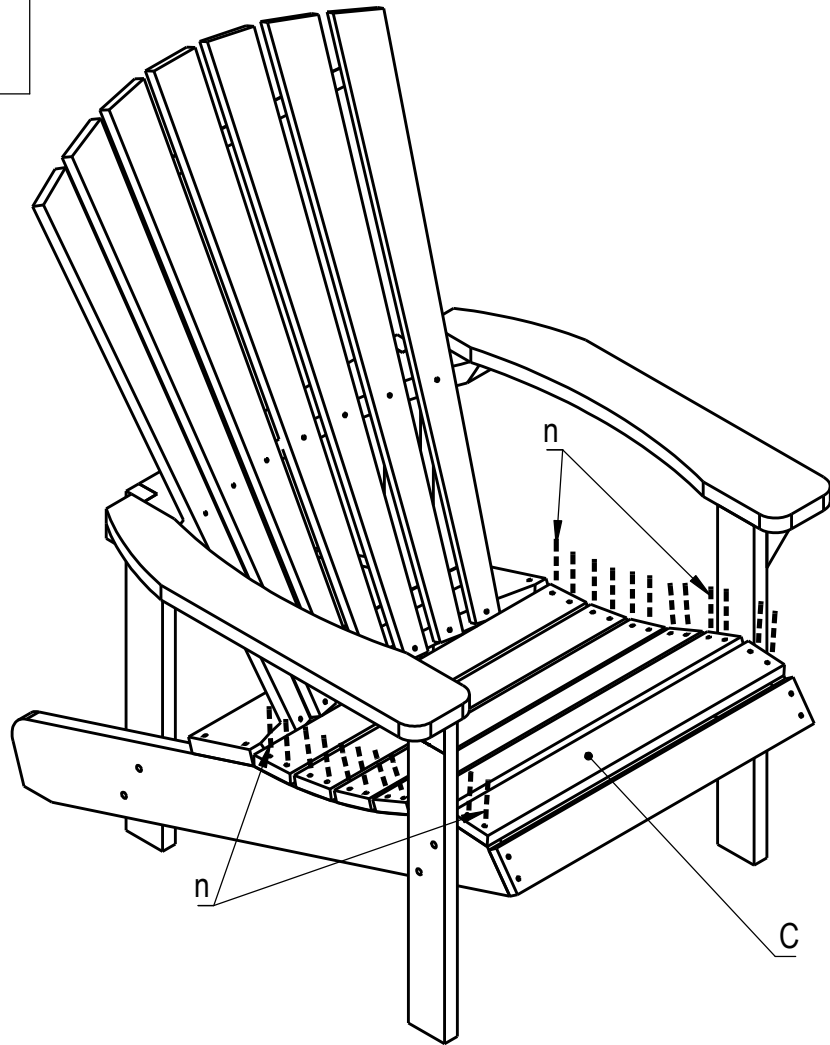


A x1



n 4x40 x14

7



C x6



n 4x40 x24

