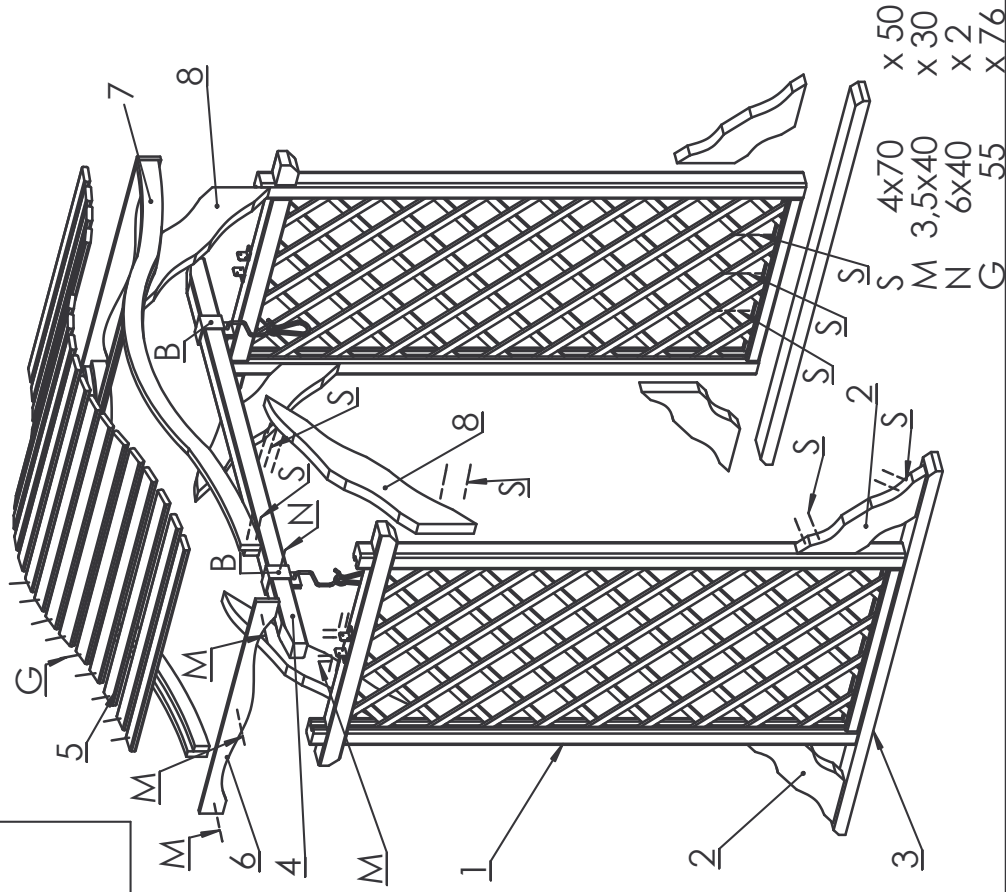
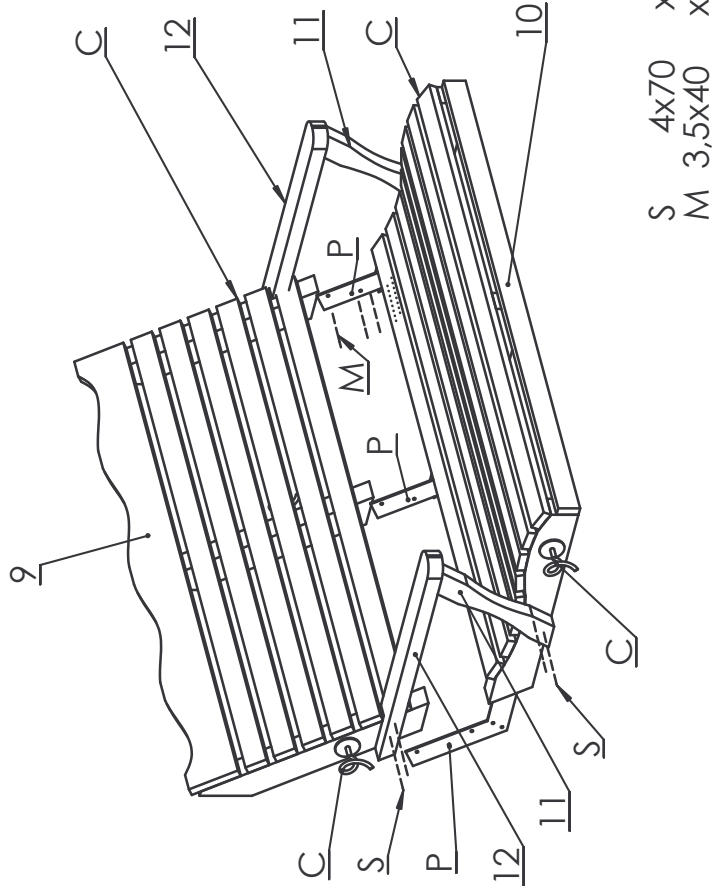


1



1. Assemble both uprights using parts 1,2 and 3
2. Onto each end of the top rail slide a chain support bracket (B). Position the top rail (4) on the top of the 2 uprights.
3. Position both front and rear arches (7) on the top of the uprights and secure them in place using screws.
4. Position roof boards (5) and secure them in place using nails.
5. Position coverstrip (6) and fix in place using screws.
6. Position corner supports (8) between the uprights and arches.

2



1. Assemble the bench seat (10) to the bench back (9) using the angle bracket (P).
2. Assemble bench arms using parts 11 and 12. and position that with bench back and bench seat.
3. Attach the ends of the chains onto the seat hooks (C). The height and angle of the seat can be adjusted by using different links in the chain. Hook the middle link of a length of chain onto the chain support bracket.